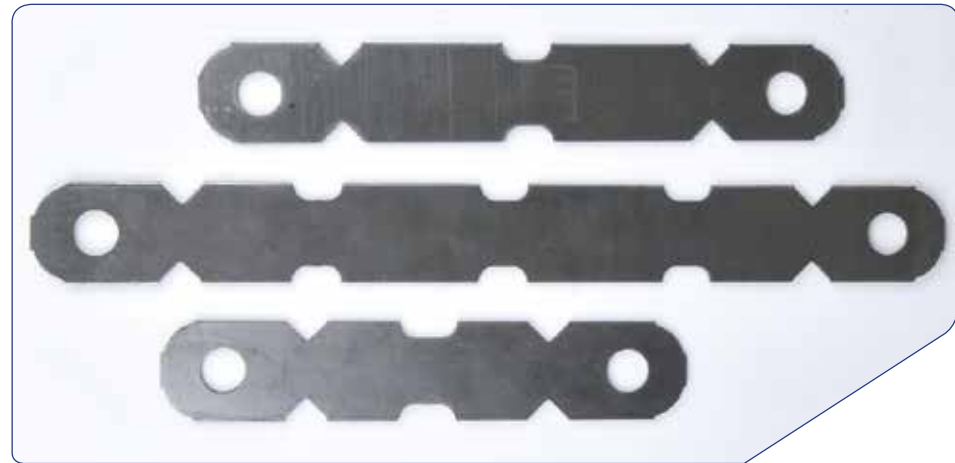


**STEEL INSERT**



Part #	Bolt Dia.	Insert length	Tension (SWL)	Weight (lbs.)
G-12278-U	1/2"	2-7/8"	3000	0.26
G-58278-U	5/8"	2-7/8"	3000	0.32
G-34278-U	3/4"	2-7/8"	3500	0.29

**WALL TIE**



Part #	Size	Unit	Finish	Weight (lbs.)	Packaging
G-4WT-U	4"	Bundle	Plain	0.22	100 Pcs/ Bundle
G-6WT-U	6"	Bundle	Plain	0.28	100 Pcs/ Bundle
G-8WT-U	8"	Bundle	Plain	0.33	100 Pcs/ Bundle
G-10WT-U	10"	Bundle	Plain	0.41	100 Pcs/ Bundle

**REUSEABLE UT FORMER**



Part #	L	W	A	B	Color ID	Weight (lbs.)
G-UTRFO-U	8"	3"	3-1/4"	0.45"	Orange	1.44
G-UTRFG-U	8"	3"	3-1/4"	0.67"	Green	1.73

**UTILITY FORMER MOUNTING PLATE**



Part #	Size	Weight (lbs.)	Surface
UPON REQUEST	2-2.5T	0.14	Plain
G-UTFMP-U	4-5T	0.21	Plain

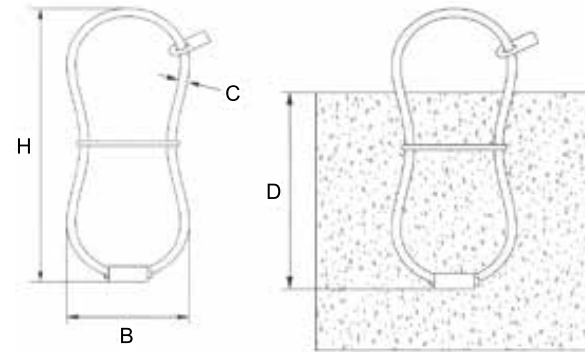


**PLASTIC STAR INSERT**



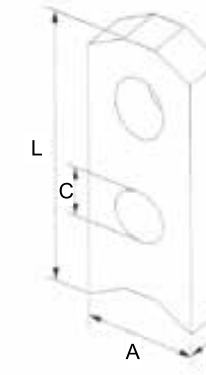
Part #	Bolt Dia	Insert Length	Tension (SWL)	Weight (lbs.)	Material
G-12275PL-U	1/2"	2-1/2"	2500	0.06	HDPE
G-343PL-U	5/8"	3"	3000	0.07	HDPE
G-583PL-U	3/4"	3"	3300	0.07	HDPE

**CABLE LOOP LIFTER**



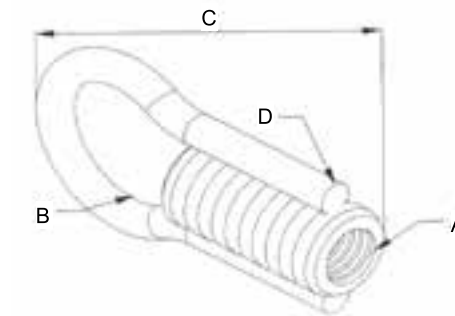
Part #	SWL (lbs.)	H	B	C	D	Weight (lbs.)	Tag Color
G-8CLL-U	1,600	8"	3.75"	0.236"	5.30"	0.17	White
G-1.2CLL-U	2,400	9"	4"	0.276"	6"	0.28	Red
G-1.6CLL-U	3,200	10"	5"	0.315"	6.70"	0.35	Purple
G-2CLL-U	4,000	12"	5.25"	0.354"	8"	0.58	Green
G-2.5CLL-U	5,000	13"	5.50"	0.394"	8.70"	0.72	Drak Grey

**2 HOLE ERECTION ANCHOR**



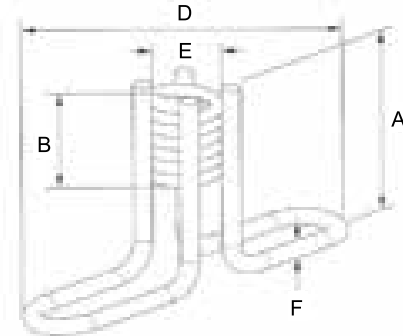
Part #	Clutch ID	Length (L)	Width (A)	Thickness (B)	Hole Dia (C)	SWL 4:1 Tension Load (lbs)	Finish	Weight (lbs)
G-2T2H-U	2-2.5T	4"	1-1/4"	3/8"	3/4"	4000	Electro Galvanized	0.34
G-4T2H-U	4-5T	4"	1-1/2"	5/8"	11/16"	8000	Electro Galvanized	1

**LOOP FERRULE**



Part #	Bolt Dia (A)	Length (C)	Insert Length	Insert Dia	Insert Radius (B)	Wire Dia (D)	SWL Tension Load (lbs)	Finish	Weight (lbs)
G-12LF-U	3/4"	3-1/2"	1-5/8"	1"	13/16"	0.262"	2400	Electro Galvanized	0.30
G-58LF-U	5/8"	3-1/2"	1-5/8"	7/8"	13/16"	0.262"	2300	Electro Galvanized	0.28
G-34LF-U	1/2"	2-3/4"	1-3/8"	11/16"	9/16"	0.243"	2000	Electro Galvanized	0.18

**THIN SLAB INSERT**



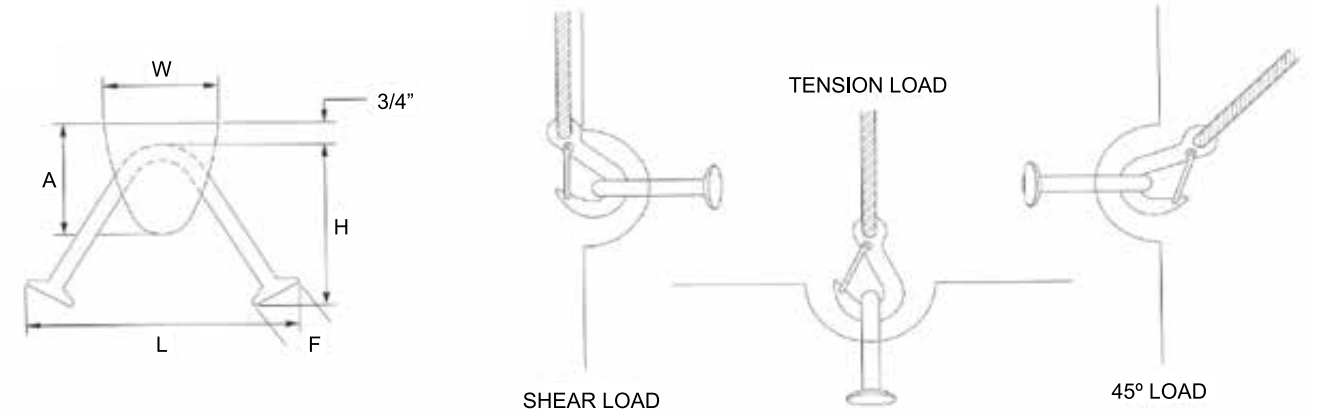
Part #	Bolt Dia	Height (A)	Coil Dia (E)	Coil Length (B)	Wire Dia (F)	Length (D)	Min. Edge Distance	SWL Tension Load (lbs)	Weight (lbs)	Finish
G-12516TSI-U	1"	2-5/16"	2"	2"	0.306"	6"	5"	2000	0.95	Electro Galvanized
G-1412TSI-U	1"	4-1/2"	2"	2"	0.306"	6"	8"	4750	1.22	Electro Galvanized

**BAR TIES**



Part #	Length	Gage	Pcs/ Bundle
G-4BRTY-U	4"	17	5,000
G-6BRTY-U	6"	16	5,000
G-8BRTY-U	8"	16	5,000
G-10BRTY-U	10"	16	5,000
UPON REQUEST	10"	14	2,500
G-16BRTY-U	16"	16	2,500
UPON REQUEST	16"	17	2,500
G-24BRTY-U	24"	16	2,500

**SLAB - UT LIFT ANCHOR**



Part #	Slab Thickness	H	L	D	F	Shear Load (SWL) (lbs.)	45° Load (SWL) (lbs.)	Tension Load (SWL) (lbs.)	Weight (lbs.)	Finish
G4-3.125-U	4"	3-1/8"	5-9/32"	0.45"	1-3/8"	1800	800	1200	0.43	Electro Galvanized
G4-3.75-U	4-1/2"	3-3/4"	6"	0.45"	1-3/8"	6500	1900	3000	0.50	Electro Galvanized
G4-4.75-U	5-1/2"	4-3/4"	7-1/8"	0.45"	1-3/8"	8000	2100	4000	0.60	Electro Galvanized
G6-3.75-U	4-1/2"	3-3/4"	6-13/16"	0.67"	1-3/8"	7500	4800	4000	1.07	Electro Galvanized
G6-4.75-U	5-1/2"	4-3/4"	7-3/8"	0.67"	1-3/8"	10000	7200	6000	1.28	Electro Galvanized
G6-6.75-U	8"	6-3/4"	10"	0.67"	1-3/8"	13500	12000	10000	1.71	Electro Galvanized

NOTE: Load based on 4:1 safety factor & minimum concrete strength of 4000 psi with full shear cone.

**Unique Fasteners**  
“an innovative, global, leading and experienced fastener company”

Our mission is to be unsurpassed as a provider of high quality service and products to our customers through the cooperative effort of a highly motivated and educated group of self-actualizing employees. Our diverse array of valid customers and manufacturers in the automotive, electronics, electric motors, appliances, and plastic/rubber molding industries has provided us with ample experience to provide you with our knowledge and expertise.



**QUALITY ASSURANCE**

Unique Fasteners assures effective communication with each supplier. We continually monitor the quality and manufacturing process while coordinating the production and delivery of components to the distributor.

**LARGE INVENTORIES**

We can stock product in our warehouse and release to you over a six to eight month period. This keeps you competitive while controlling your cash flow at the same time. Unique Fasteners stocks many popular items in our warehouse today and continues to expand the inventory on a daily basis.

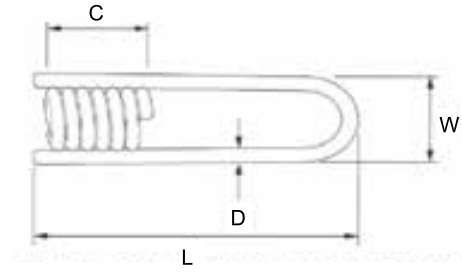
Email:  
[goscortg@peoplepc.com](mailto:goscortg@peoplepc.com)

Phone:  
**713.643.1964**

**ABOUT US**

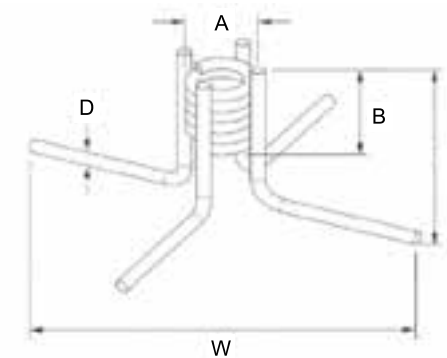
Looking for a highly detailed and customized bolt or simple nut or what have you? Look no further. At Unique Fasteners, we offer you the best in the world. With more than 50 years of combined experience, we have been helping our large clientele of numerous fortune 500, mid-sized and small companies with exceptional products from leading manufacturers around the globe. We leave no stone unturned for a highly customized, timely and quality service. The stocking program lets us store product in our spacious 200,000 sq. ft. warehouse in Sugar Land, TX, and maintain two to three months of inventory at all times.

**STRAIGHT COIL LOOP INSERT**



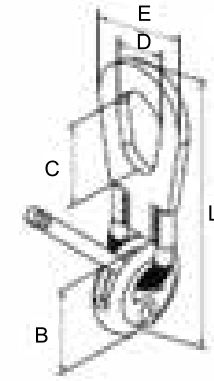
Part #	Bolt Dia	Length (L)	Width (W)	Thread (T)	Coil Length (C)	Wire Dia (D)	SWL Tension (lbs.)	Finish	Weight (lbs.)
<b>G-1412SCLI-U</b>	1"	4-1/2"	2-1/16"	1-3.5	2"	0.375"	3750	Electro Galvanized	0.68
<b>G-15SCLI-U</b>		5"	2-1/16"	1-3.5	2"	0.375"	3750	Electro Galvanized	0.70
<b>G-16SCLI-U</b>	1"	6"	2-1/16"	1-3.5	2"	0.375"	3750	Electro Galvanized	0.74

**LOOP FERRULE**



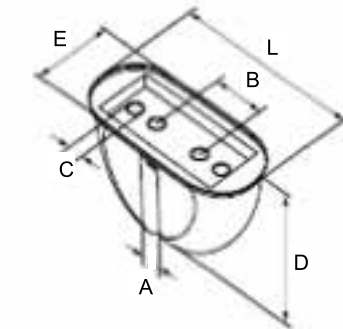
Part #	Bolt Dia	Insert Length (L)	Coil Dia (A)	Coil Height (B)	Wire Dia (D)	Leg Length (W)	SWL Tension (lbs.)	Finish	Weight (lbs.)
<b>G-14SLLCI-U</b>	1"	4"	1-7/8"	1-7/8"	0.306"	9-1/2"	3500	Electro Galvanized	1.39

**RING LIFT CLUTCH**



Part #	Ring Clutch (Tons)	Clutch ID	L	B	C	D	E	Weight (lbs.)
<b>G-2TRLC-U</b>	2T	2-2.5T	10-15/16"	3-1/8"	3-1/16"	2-5/16"	3-3/4"	3.41
<b>G-4TRLC-U</b>	4T	4-5T	12-15/16"	4-1/16"	3-7/8"	2-7/16"	4-9/16"	7.69

**RING LIFT REUSABLE RECESS FORMER**



Part #	Ring Clutch (Tons)	Clutch ID	Length (L)	Height (D)	Width (E)	Slot Width (A)	Hole Distance (B)	Hole Dia (C)	Weight (lbs.)
<b>G-2TRF-U</b>	2-2.5T	2.5T	3-3/4"	1-7/8"	1-3/4"	3/8"	1-1/16"	0.406"	0.22
<b>G-4TRF-U</b>	4-5T	5T	4-7/8"	2-1/4"	2-3/16"	5/8"	1-3/8"	0.406"	0.48